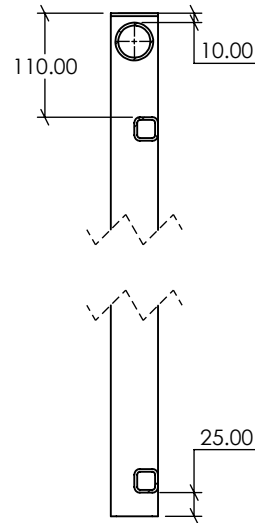
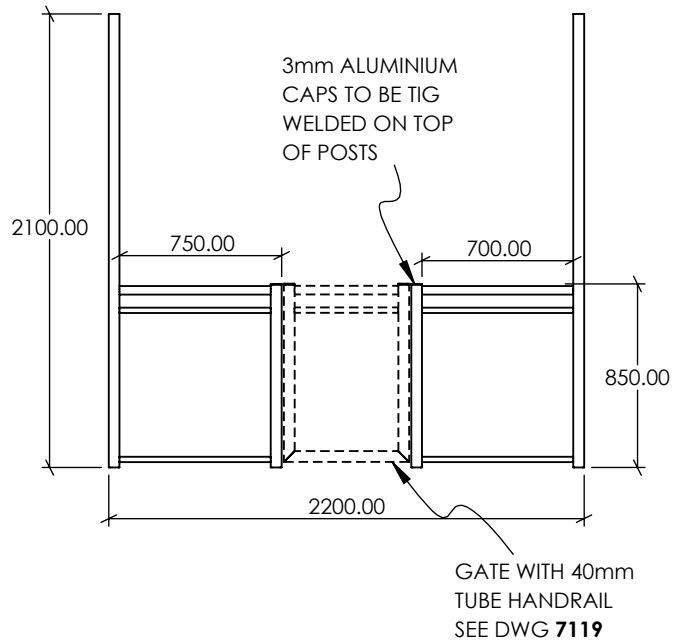


FRONT & BACK VIEW



SECTION A-A

- NOTE** -ALL STRUCTURE IS FULLY WELDED WITH A NOMINAL FILLET RADIUS OF 5mm.  
 -ALL EXTRUSIONS ARE OF GRADE 6063- T5 OR EQUIVALENT.  
 -ALL 50x50x3 RHS ARE TO HAVE 5mm RADIUS EDGE.  
 -ALL OTHER RHS TO HAVE 3mm RADIUS EDGE